

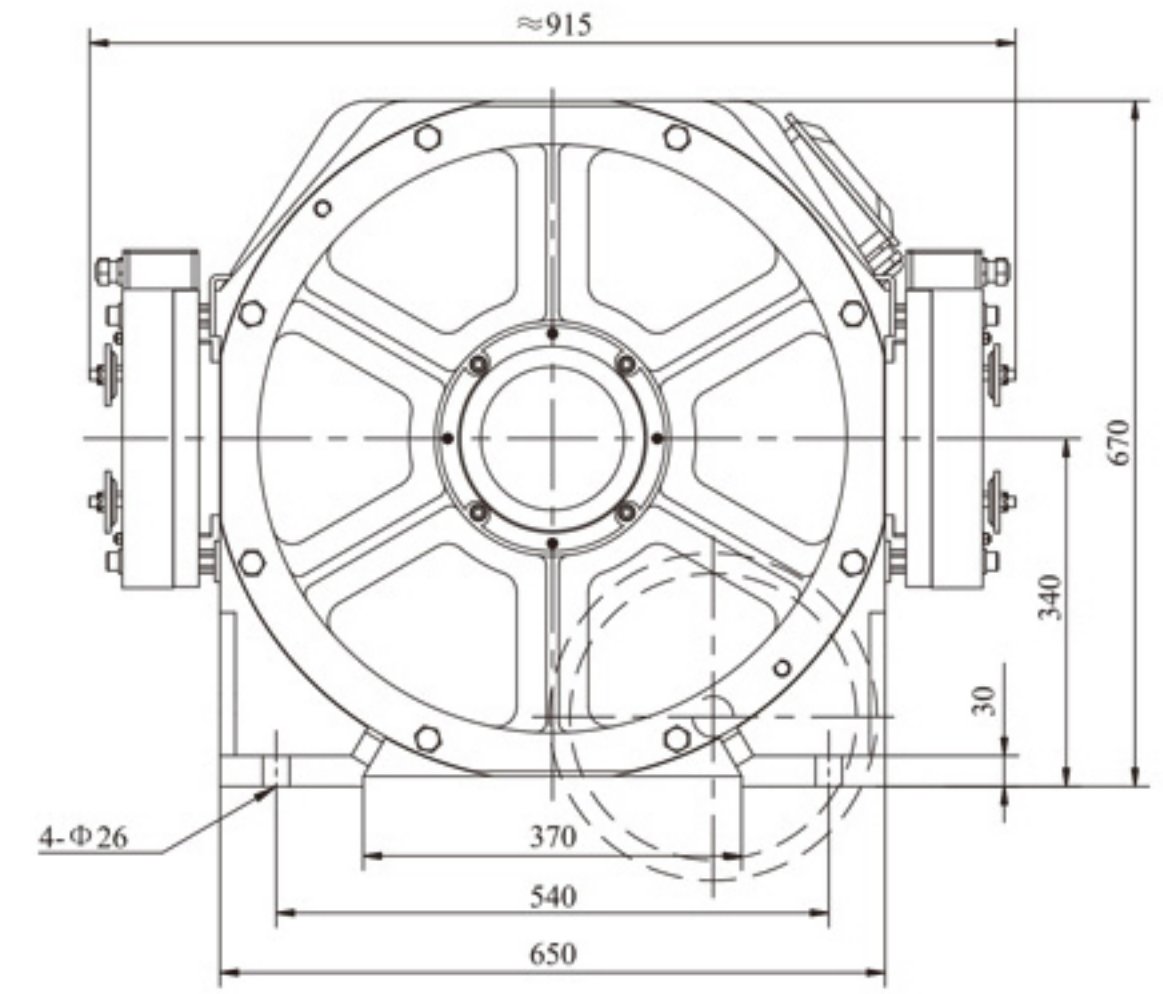
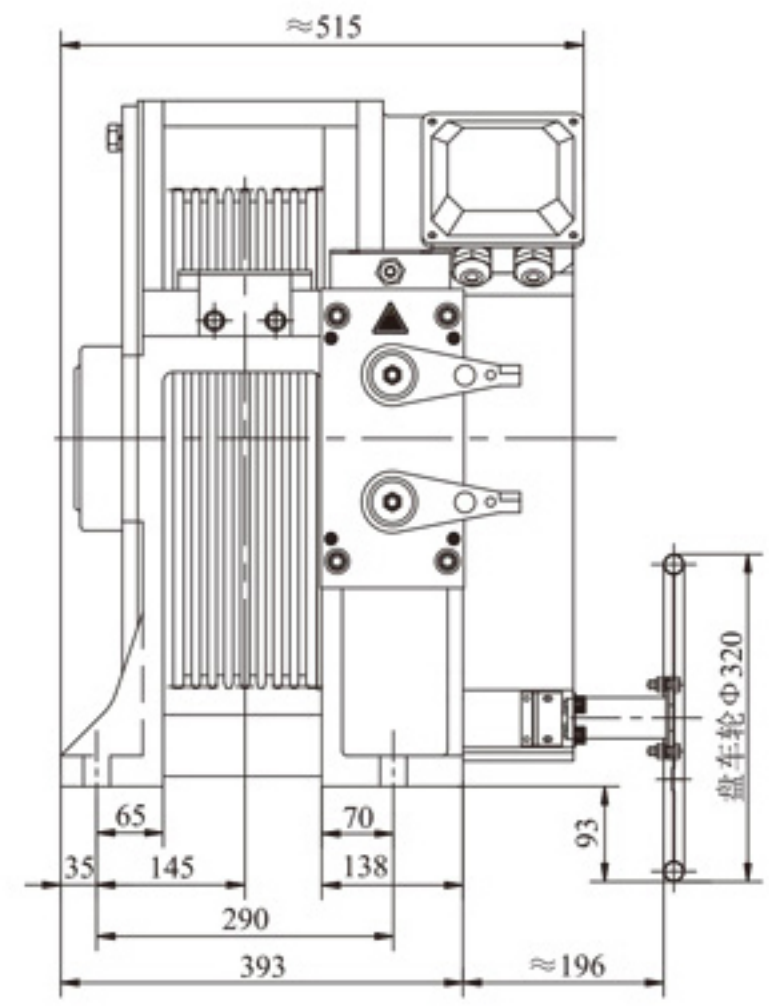
GTW10

Elevator Traction Machine



Voltage:380V
Suspension:2:1
Brake:DC110V 2*2A
Weight:550kg
Max. Static Load:5500kg

GTW10



Spec	Load (kg)	Lift Speed (m/s)	Height (m)	Sheave Diam (mm)	Rope sheave (mm)	Current (A)	Torque (Nm)	Rated Speed (rpm)	Frequency (Hz)	Power (kW)	Pole	Rating	INS.Class	IP Code
GTW10-131P0	1350	1	≤120	Φ485	8×Φ10×16	19.3	1070	79	21.1	8.9	32	S5(40%)	F	IP41
GTW10-131P5	1350	1.5	≤120	Φ485	8×Φ10×16	29.5	1070	118	31.5	13.2	32	S5(40%)	F	IP41
GTW10-131P6	1350	1.6	≤120	Φ485	8×Φ10×16	29.5	1070	126	33.6	14.1	32	S5(40%)	F	IP41
GTW10-131P7	1350	1.75	≤120	Φ485	8×Φ10×16	32.2	1070	138	36.8	15.5	32	S5(40%)	F	IP41
GTW10-132P0	1350	2	≤120	Φ485	8×Φ10×16	37.0	1070	158	42.1	17.7	32	S5(40%)	F	IP41
GTW10-132P5	1350	2.5	≤120	Φ485	8×Φ10×16	45.8	1070	197	52.5	22.1	32	S5(40%)	F	IP41
GTW10-161P0	1600	1	≤120	Φ485	8×Φ10×16	22.8	1270	79	21.1	10.5	32	S5(40%)	F	IP41
GTW10-161P5	1600	1.5	≤120	Φ485	8×Φ10×16	35.6	1270	118	31.5	15.7	32	S5(40%)	F	IP41
GTW10-161P6	1600	1.6	≤120	Φ485	8×Φ10×16	35.6	1270	126	33.6	16.8	32	S5(40%)	F	IP41
GTW10-161P7	1600	1.75	≤120	Φ485	8×Φ10×16	38.7	1270	138	36.8	18.4	32	S5(40%)	F	IP41
GTW10-162P0	1600	2	≤120	Φ485	8×Φ10×16	44.5	1270	158	42.1	21.0	32	S5(40%)	F	IP41
GTW10-162P5	1600	2.5	≤120	Φ485	8×Φ10×16	55.7	1270	197	52.5	26.2	32	S5(40%)	F	IP41

Remark

The machine can be configured with the remote manual brake release with 4 meters wire.